

Ricoh Unified Communication System P3000



Versatile performance to move you forward

Use the RICOH® Unified Communication System (UCS) P3000 to get everybody on the same page — even if they can't be in the same room. The innovative system integrates video, audio, text and interactive media in a lightweight, compact design that can be transported easily for highly collaborative meetings any time, anywhere — with anyone. Enjoy the freedom to seamlessly communicate with remote employees, customers or vendors at up to 20 locations without compromising productivity, security or your budget. Take advantage of this powerful, cloud-based technology for only a minimal investment and reasonable access fee. It uses an Internet connection and features an easy-to-use interface similar to a smart phone, so users can set up and operate the device within moments. Choose the UCS P3000 to help keep your business personal — and profitable.

- Lightweight and portable
- Easily accessible for up to 20 remote locations
- Simple, intuitive interface for convenient operation
- Ideal for any environment, including business-to-business, educational, health care, legal and more



Affordable performance with freedom to share

Take it anywhere

Bring mobile communications to the conference room — or any other location — with the UCS P3000. With its compact footprint, the lightweight system can be transported easily with minimal effort. The portable laptop sized system includes a small camera, microphone and speakers that can be tucked away in a special soft-sided case for convenient video communications on the go. All you need is an AC power source, Internet connection and monitor to collaborate cost-effectively via video, audio, text and interactive multimedia from the location that works best for you and your schedule.



Use it any time

Mobility encourages speed and efficiency. The UCS P3000 offers a simple three-step operation to ensure you stay in touch with key decision makers — and stay ahead of your competition. Start-up time is about 30 seconds. Plus, it offers one-finger control to convenient address books for fast connection with other participants around the world instantly. The interface is modeled after smart phone technology for incredible functionality and familiarity that expedites operation. The conference call leader can connect the device directly to a computer via USB cable to share screen images with all participants. Remote users simply connect the UCS P3000 into any projector, desktop monitor or television for viewing. Because the system uses scalable video coding, it can transmit with reduced jitter and interruption for higher quality communications at reduced cost.



Connect with anyone

Real-time access to employees, partners and prospects offers real advantages for today's most agile organizations. The UCS P3000 allows you to bring together dozens of participants from up to 20 remote locations for seamless, secure interactions without the challenges and costs of in-person meetings. Nine locations can be displayed simultaneously — in a wide range of screen layouts — with audio from 11 more locations available throughout the meeting. Save on travel and video-conferencing room infrastructure costs without compromising security or spontaneity with this convenient, easy-to-use system. It even features the best of Ricoh optical technology for 1.3 megapixels of high-resolution at an expansive 94-degree wide-angle view for video communications with real-life quality.



Ricoh Unified Communication System P3000

SYSTEM SPECIFICATIONS

Main Specifications

Product Name		Ricoh Unified Communication System P3000
Image Coding System		H.264/SVC (scalable video coding)
Audio Coding System		SPEEX wideband/ITU-T G.711/ITU-T G.722
Communication	Protocol	Unique procedure
	Transmission Speed	500 Kbps to 2 Mbps
Power		AC100-240 V, 50/60 Hz, 1.5A
Power Consumption		50 W max.
Warm-up Time		Approx. 30 seconds ¹
Noise		40 dB max.
Dimensions (WxDxH)		11.2" x 7.4" x 1.6" (285 x 189 x 40 mm) excluding protrusions
Weight		3.5 lb. (1.6 kg)
Interface	USB Port A Terminal	Operation verified devices (microphone, speaker) can be connected ²
	USB Port B Terminal	For connecting by USB cable to the computer that is sharing screens
	Wired LAN	10BASE-T, 100BASE-TX, 1000BASE-T
	Wireless LAN	IEEE 802.11 b/g/n
	Authentication System (Wireless LAN)	Open system authentication, shared key authentication, WPA-PSK, WPA2-PSK
	Encryption System (Wireless LAN)	WEP: WEP 128-bit/64-bit, TKIP: WPA-PSK/WPA2-PSK, AES: WPA-PSK/WPA2-PSK
Image Output		XGA resolution: 1024 x 768 dpi, WXGA resolution: 1280 x 800 dpi
Audio Input		Built-in microphone x 1 (omnidirectional) 1.5m 360° microphone pick up range (non-partitioned space) 3.0m 360° microphone pick up range (enclosed rooms up to 5.5W x 3.5D x 2.5H meters)
Audio Output		Built-in speaker x 1 (monaural)
Image Output Terminal		RGB (D-sub 15-pin) x 1, DVI-D x 1 ³
Power Supply Terminal		For connecting the AC adaptor (supplied)
Computer Screen Sharing	Compatible Computer Screen Resolution	SVGA (800 x 600 dpi), XGA (1024 x 768 dpi), WXGA (1280 x 600 dpi only)
	OS (32-bit)	Windows XP Home Edition/Professional SP3 Windows Vista Home Basic/Home Premium/Business/Enterprise/Ultimate SP2 Windows 7 Home Premium/Professional/Enterprise/Ultimate SP1
	OS (64-bit)	Windows Vista Home Basic/Home Premium/Business/Enterprise/Ultimate SP2 Windows 7 Home Premium/Professional/Enterprise/Ultimate SP1
	CPU	Pentium M 1.2 GHz or faster
	Memory	512 MB or more
	Hard Disk	Program area 100 MB or more
Operating Environment While On		50° to 90° F (10° – 32° C), Humidity: 15 – 80% (no condensation)
Operating Environment While Off		32° to 109° F (0° – 43° C), Humidity: 10 – 90% (no condensation)
Max. Height Above Sea Level		10,000 feet (3,048 meters)
Relevant Standards		RoHS directive compatible, VCCI Class B compatible
Accessories Packaged with UCS P3000		AC adapter/Power cable, USB cable, Warranty (disclaimers), Quick Start Guide, Carry Bag, For Administrators: Licensing Agreement (Windows® Authentication), Privacy Policy Form, Read This First

¹ About 30 seconds in the case of DHCP until a usable screen appears after power is turned ON. In case of a wired LAN, proxy OFF, Ping response within 30 milliseconds. About 50 seconds in the case of a fixed IP address.

² Contact your area sales representative about operation verified devices. When an external I/O unit (microphone, speaker) is connected to the USB port, priority is given to that connected external I/O unit and the I/O unit built into the terminal is disabled. Also, when two external I/O units of the same type are connected, only one of the units is enabled.

³ The image output terminal cannot be used at the same time.

Monthly, quarterly or annual service use charges are required separately. For details, contact your Ricoh sales representative.

Interface Terminals

The UCS P3000 is equipped with a variety of input and output terminals so it can be used in a wide range of locations. Connecting with other equipment greatly increases the potential for visual communication.

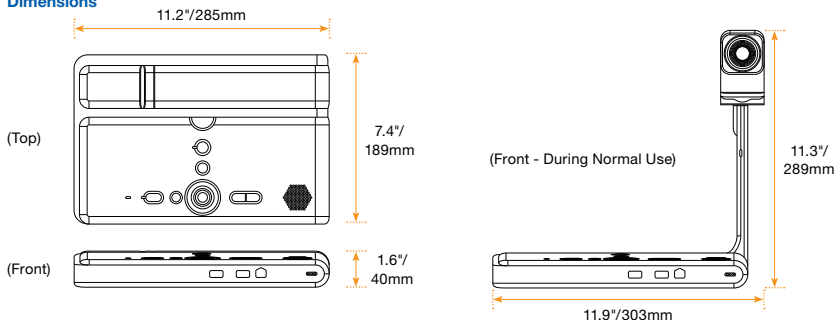
Front: ① USB port A terminals ② USB port B terminal



Back: ④ Wired LAN ⑤ DVI-D ⑥ RGB



Dimensions



RICOH
imagine. change.

www.ricoh-usa.com

Ricoh Americas Corporation, Five Dedrick Place, West Caldwell, NJ 07006, 1-800-63-RICOH
RicoH® and the RicoH Logo are registered trademarks of Ricoh Company, Ltd. All other trademarks are the property of their respective owners. The content of this document, and the appearance, features and specifications of Ricoh products and services are subject to change from time to time without notice. Products are shown with optional features. While care has been taken to ensure the accuracy of this information, Ricoh makes no representation or warranties about the accuracy, completeness or adequacy of the information contained herein, and shall not be liable for any errors or omissions in these materials. Actual results will vary depending upon use of the products and services, and the conditions and factors affecting performance. The only warranties for Ricoh products and services are as set forth in the express warranty statements accompanying them.

